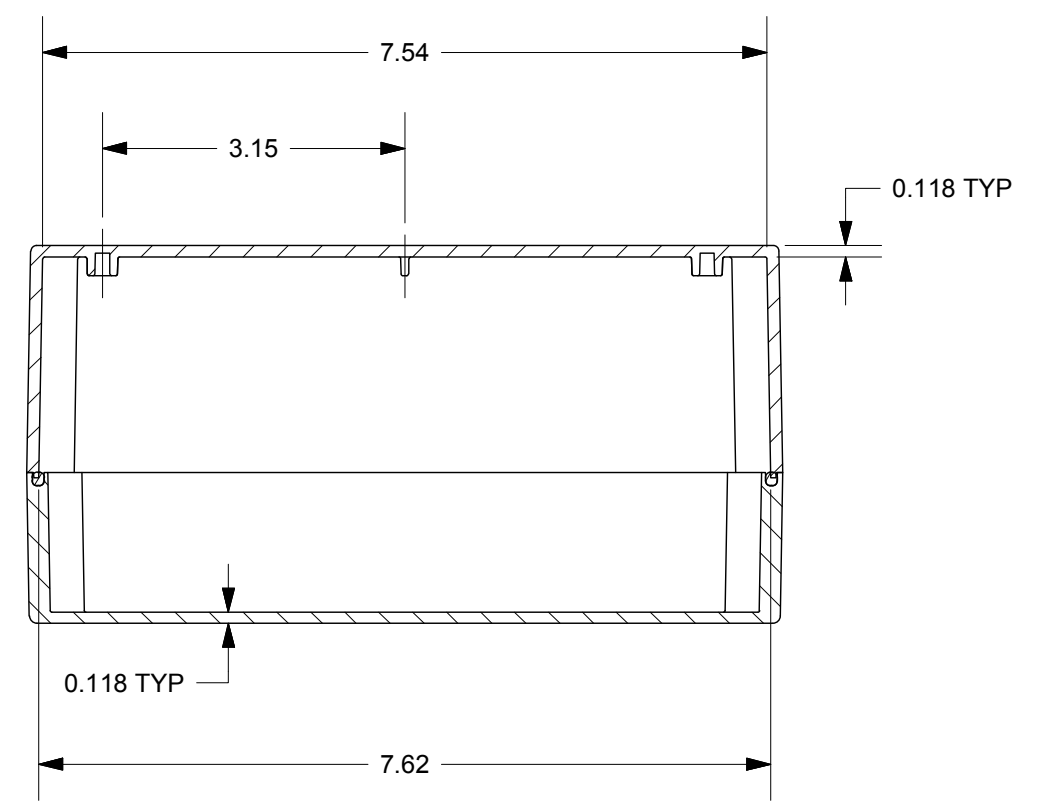
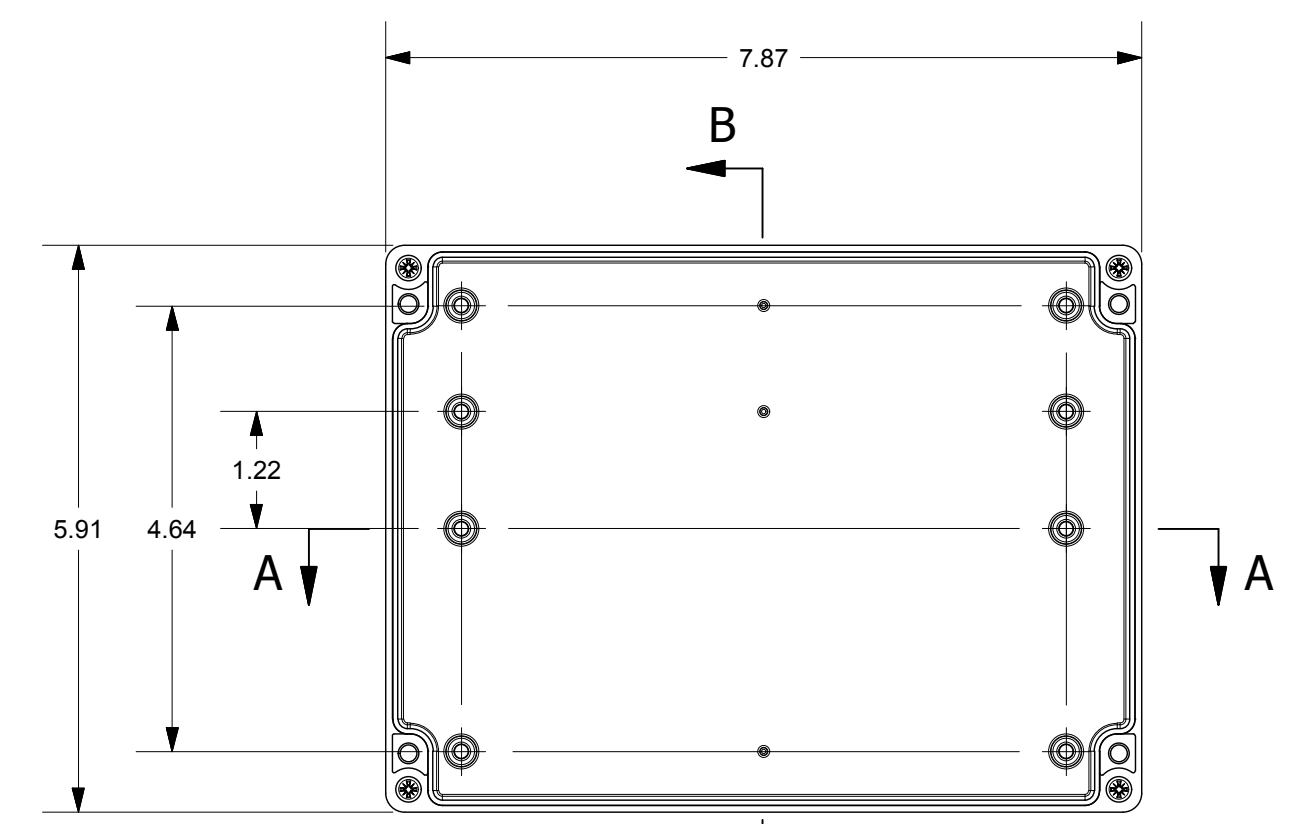


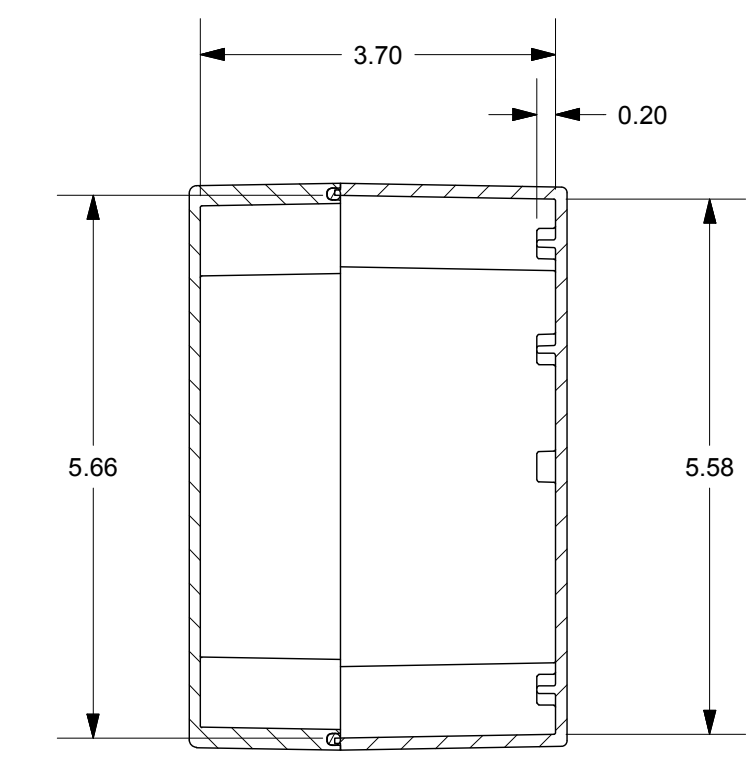
PRODUCT LABEL DETAIL



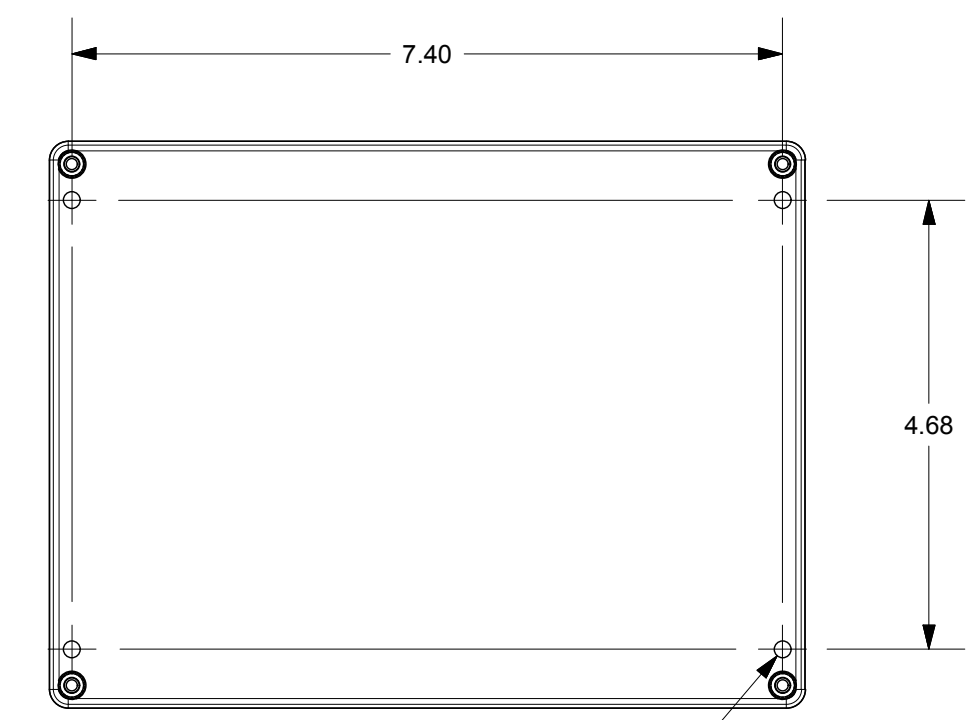
SECTION A-A



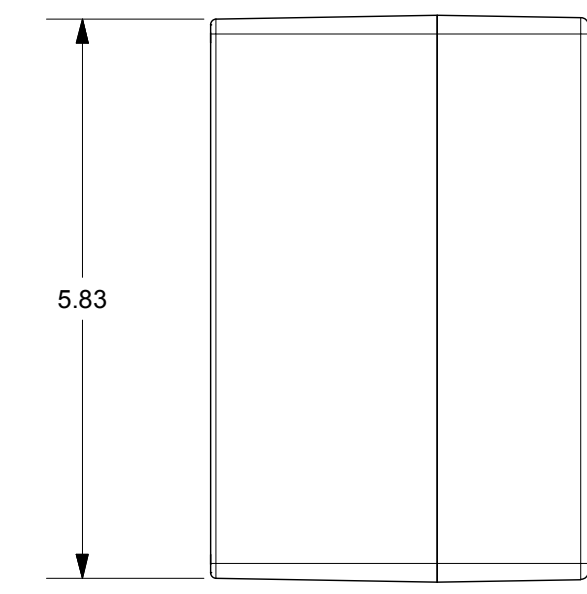
WITH COVER REMOVED



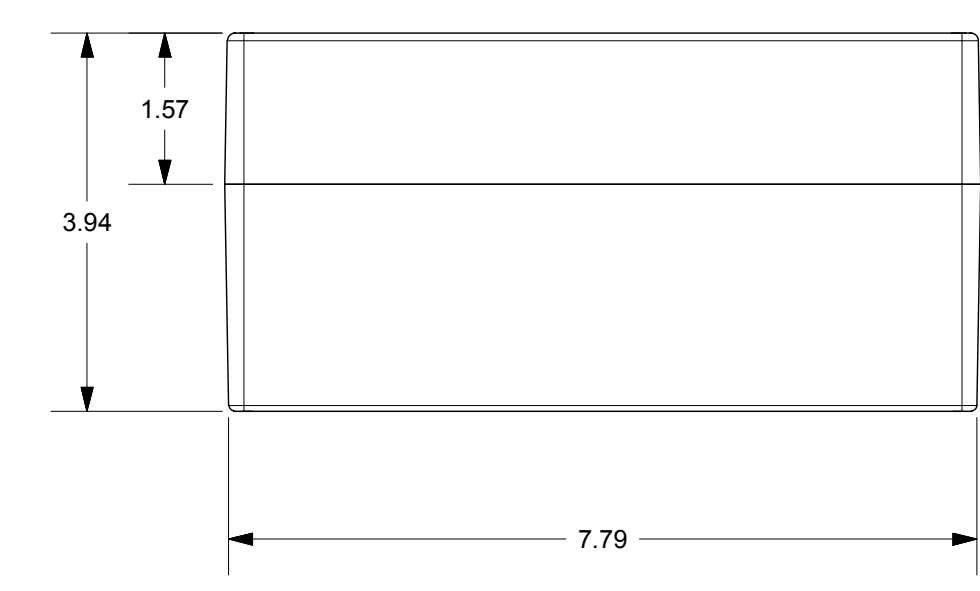
SECTION B-B



4X Ø0.18



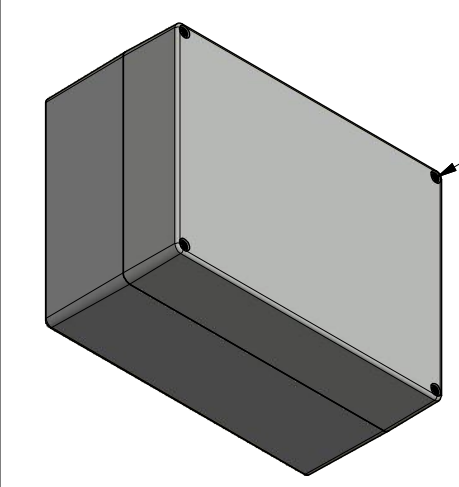
5.83



1.57

3.94

7.79



COVER SCREW  
M4 x 73 mm  
(4X)

THIS DRAWING IS THE SOLE AND EXCLUSIVE PROPERTY OF ROBROY ENCLOSURES. NO PART OF THIS DRAWING MAY BE REPRODUCED, DISTRIBUTED, OR PUBLICALLY DISPLAYED IN ANY FORM OR BY ANY MEANS WITHOUT THE EXPRESS WRITTEN PERMISSION OF ROBROY ENCLOSURES. ALL RIGHTS RESERVED. UNDER THE COPYRIGHT LAWS. COPYRIGHT © 2018 ROBROY ENCLOSURES.

**END USER NOTES:**  
1. TORQUE COVER SCREWS TO 9-17 IN.-LBS. TO MAINTAIN RATINGS.

**SPECIAL REQUIREMENTS**

|   |             |                                 |   |                             |                            |
|---|-------------|---------------------------------|---|-----------------------------|----------------------------|
| NEMA 250: TYPE 1, 3R, 4, 4X, 12<br>IEC 60529: IP66<br>COLOR: LIGHT GREY<br>COLOR STANDARD: RAL 7035 |             | STANDARD P/N: ST201510W         | ALL DIMENSIONS ARE IN INCHES UNLESS OTHERWISE SPECIFIED | TOLERANCES UNLESS SPECIFIED | .XX ± 0.03<br>.XXX ± 0.010 |
| MATERIAL: POLYCARBONATE   |             | CUSTOMER DWG:                   | <b>STAHLIN</b><br>Robroy Enclosures                     |                             |                            |
| REVISION HISTORY  |             |                                 |   |                             |                            |
| REV   | DESCRIPTION | DATE                            | ENG   |                             |                            |
| -   | -           | -                               | -   |                             |                            |
| -   | -           | -                               | -   |                             |                            |
| -   | -           | -                               | -   |                             |                            |
| -   | -           | -                               | -   |                             |                            |
| -   | -           | -                               | -   |                             |                            |
| -   | -           | -                               | -   |                             |                            |
| DRAWN BY: E91   |             | DATE: 02/08/18                  | CUSTOMER:   |                             | DWG: ST201510W             |
| SCALE: DO NOT SCALE   |             | DESCRIPTION: STANDARD ENCLOSURE | PART NUMBER: FEST201510W                                |                             |                            |